

Cooling Capacity: 1 to 84 kW



Standard Unit Features

- Hermetic or semihermetic compressor
- Air cooled condenser
- Receiver tank
- High and low pressure switch
- Electrical connection box
- Factory leak test
- Charged with protection gas
- CE Conformity declaration

Applications

- Commercial refrigeration
- Cold and freeze food stores
- Food industry process applications
- Industrial processes, chemical industry
- Cooling of manufacturing rooms

Features

- Simple and proved design
- Easy installation and service
- High reliability and endurance
- Cost effective operation
- Wide range of application
- Air cooled high effective condenser
- Optional accessories

Optional Accessories

- Filterdehydrator
- Sightglass
- Filterdehydrator & sightglass mounted
- Electric crankcase oil heater
- Condenser fan speed control (one or two steps)
- Step less condenser fan speed control
- Housing
- Remote condenser



Units assembly line



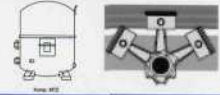
Outdoor unit housing



Optional accessories



Remote condenser



Technical Specification

Series air cooled condensing units with hermetic reciprocating compressor suitable for application from air conditioning to freezing temperatures.

Units are designed for ambient temperatures up to 43°C and for cold room temperature in range +15 to -27°C. Units can be delivered with different optional accessories.

Condensing Units for Cold Rooms Applications

| Model | Cooling Capacity (kW) ⁽¹⁾ @ +27°C ambient temp | | Application Range ⁽²⁾ [°C] | Dimensions AxBxH [mm] | Weight [kg] | Sound Pressure ⁽³⁾ Lp [dB(A)] |
|-----------|--|--------|---|-----------------------------|----------------|--|
| | Te=-10°C | Te=0°C | | | | |
| JHE-D-05 | 0.9 | 1.2 | -20 ... 0 | 350x520x305 | 26 | - |
| JHE-D-07 | 1.1 | 1.5 | -20 ... 0 | 350x520x305 | 29 | - |
| JHE-D-09 | 1.3 | 1.8 | -20 ... 0 | 385x540x360 | 39 | - |
| JME-E-13 | 1.6 | 2.1 | -25 ... 0 | 350x520x305 | 38 | - |
| JHE-E-13 | 1.9 | 2.6 | -25 ... +5 | 385x540x360 | 39 | - |
| JME-E-15 | 2.1 | 2.8 | -25 ... +5 | 385x540x360 | 43 | - |
| JHE-E-15 | 2.5 | 3.4 | -25 ... +5 | 700x500x395 | 46 | - |
| JME-M-18 | 2.5 | 3.7 | -25 ... +10 | 600x600x455 | 48 | 50 |
| JME-M-28 | 3.9 | 5.5 | -25 ... +10 | 600x600x455 | 51 | 47 |
| JME-C-28 | 4.0 | 6.8 | -25 ... +10 | 600x600x455 | 51 | 47 |
| JME-M-40 | 5.7 | 8.0 | -25 ... +5 | 800x600x442 | 68 | 45 |
| JME-C-40 | 5.2 | 8.5 | -25 ... +10 | 800x600x442 | 68 | 45 |
| JME-C-64 | 8.1 | 12.7 | -25 ... +10 | 1000x700x555 | 99 | 51 |
| JME-M-64 | 9.9 | 14.2 | -25 ... +7 | 1000x700x555 | 99 | 51 |
| JME-M-80 | 12.3 | 17.1 | -25 ... +7 | 1000x700x555 | 115 | 54 |
| JME-M-100 | 14.7 | 21.1 | -25 ... +7 | 1200x800x676 | 145 | 60 |
| JME-M-125 | 18.4 | 25.7 | -25 ... +7 | 1200x800x676 | 154 | 61 |

Condensing Units for Freeze Rooms Applications

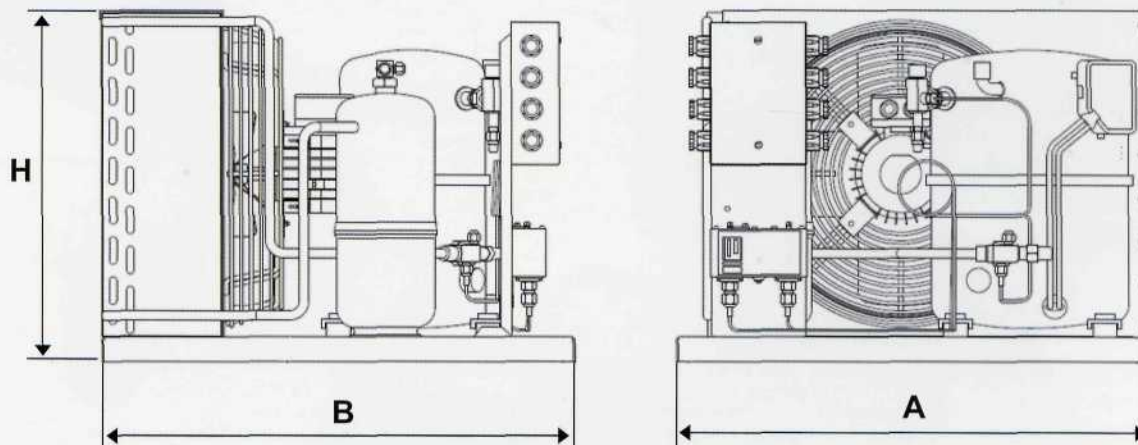
| Model | Cooling Capacity (kW) ⁽¹⁾ @ +27°C ambient temp | | Application Range ⁽²⁾ [°C] | Dimensions AxBxH [mm] | Weight [kg] | Sound Pressure ⁽³⁾ Lp [dB(A)] |
|----------|--|----------|---|-----------------------------|----------------|--|
| | Te=-30°C | Te=-20°C | | | | |
| JME-D-10 | 0.66 | 0.97 | -45 ... -5 | 350x520x305 | 29 | - |

⁽¹⁾ Cooling capacity for R404A @ 0/20°C suction gas return for cooling/freezing units

⁽²⁾ Range of applicable evaporating temperature (T_e)

⁽³⁾ Sound pressure level LpA at 5m distance

Illustrative picture





Technical Specification

Series air cooled condensing units with hermetic scroll compressor suitable for application from air conditioning to cooling temperatures.

Units are designed for ambient temperatures up to 43°C and for cold room temperature in range +15 to -18°C. Units can be delivered with different optional accessories.

Condensing Units for Cold Rooms Applications

| Model | Cooling Capacity (kW) ⁽¹⁾ @ +27°C ambient temp | | Application Range ⁽²⁾ [°C] | Dimensions AxBxH [mm] | Weight [kg] | Sound Pressure ⁽³⁾ Lp [dB(A)] |
|-------------|--|--------|---|-----------------------------|----------------|--|
| | Te=-10°C | Te=0°C | | | | |
| JME-ZR-18E | 2.7 | 3.8 | -25 ... +10 | 600x600x480 | 58 | 45 |
| JHE-ZR-18E | 2.7 | 3.9 | -25 ... +10 | 600x600x480 | 59 | 45 |
| JME-ZB-15 | 3.5 | 4.8 | -25 ... +10 | 600x600x480 | 90 | 48 |
| JME-ZR-28 | 4.1 | 5.8 | -25 ... +7 | 600x600x480 | 59 | 45 |
| JME-ZB-19 | 4.5 | 6.2 | -25 ... +10 | 800x600x450 | 93 | 48 |
| JHE-ZR-28 | 4.3 | 6.2 | -25 ... +10 | 800x600x520 | 67 | 44 |
| JME-ZB-21 | 5.3 | 7.1 | -25 ... +10 | 800x600x450 | 94 | 48 |
| JME-ZR-40 | 5.8 | 8.2 | -25 ... +7 | 800x600x520 | 69 | 44 |
| JHE-ZR-40 | 6.3 | 9.1 | -25 ... +10 | 1000x700x560 | 90 | 47 |
| JME-ZB-26 | 6.7 | 9.2 | -25 ... +10 | 1000x700x555 | 96 | 52 |
| JME-ZB-30 | 7.7 | 10.5 | -25 ... +10 | 1000x700x555 | 98 | 53 |
| JME-ZB-38 | 9.2 | 12.5 | -25 ... +10 | 1000x700x555 | 99 | 54 |
| JME-ZR-64 | 8.7 | 12.7 | -25 ... +10 | 1000x700x560 | 94 | 50 |
| JHE-ZR-64 | 8.8 | 12.9 | -25 ... +10 | 1000x700x560 | 104 | 52 |
| JME-ZB-45 | 10.7 | 14.4 | -25 ... +10 | 1000x700x555 | 110 | 57 |
| JME-ZR-80 | 10.9 | 15.3 | -25 ... +7 | 1000x700x560 | 117 | 53 |
| JHE-ZR-80 | 11.3 | 16.1 | -25 ... +10 | 1200x800x680 | 127 | 55 |
| JME-ZB-56 | 12.7 | 17.2 | -25 ... +10 | 1200x800x680 | 124 | 60 |
| JME-ZR-100 | 13.1 | 18.7 | -25 ... +10 | 1200x800x680 | 142 | 57 |
| JHE-ZR-100 | 13.3 | 19.0 | -25 ... +10 | 1200x800x680 | 164 | 57 |
| JME-ESH-125 | 15.6 | 21.1 | -18 ... +5 | 1200x800x680 | 145 | - |
| JME-ZR-125 | 16.0 | 22.7 | -25 ... +10 | 1200x800x680 | 157 | 58 |
| JME-SM-125 | 16.6 | 23.1 | -15 ... +10 | 1200x800x676 | 167 | 58 |
| JME-ZB-75 | 17.7 | 23.5 | -25 ... +10 | 1200x800x680 | 148 | 62 |
| JHE-ZR-125 | 16.8 | 24.1 | -25 ... +10 | 1800x1100x1170 | 183 | 63 |
| JHE-SM-125 | 18.6 | 26.5 | -15 ... +10 | 1800x1100x1170 | 150 | 64 |
| JME-ESH-150 | 19.8 | 27.2 | -18 ... +7.5 | 1100x1100x1170 | 172 | - |
| JME-ZR-160 | 21.1 | 30.0 | -25 ... +10 | 1800x1100x1170 | 190 | 62 |
| JME-ZB-92 | 22.7 | 30.5 | -25 ... +10 | 1800x1100x1170 | 163 | 64 |
| JHE-ZR-160 | 21.8 | 31.4 | -25 ... +10 | 1800x1100x1170 | 200 | 63 |
| JME-ESH-170 | 23.9 | 32.8 | -18 ... +7.5 | 1100x1100x1170 | 177 | - |
| JME-ZB-110 | 26.5 | 35.4 | -25 ... +10 | 1800x1100x1170 | 172 | 64 |
| JME-ZR-185 | 26.2 | 37.4 | -25 ... +10 | 1800x1100x1170 | 205 | 63 |
| JME-ESH-185 | 27.8 | 37.9 | -18 ... +7.5 | 1100x1100x1170 | 182 | - |
| JME-SM-185 | 26.7 | 38.1 | -15 ... +10 | 1800x1100x1170 | 205 | 64 |
| JHE-ZR-185 | 27.2 | 38.9 | -25 ... +10 | 1800x1100x1870 | 225 | 63 |
| JHE-SM-185 | 28.1 | 40.7 | -15 ... +10 | 1800x1100x1870 | 225 | 67 |
| JME-ZR-250 | 33.1 | 46.7 | -25 ... +7 | 1800x1100x1170 | 300 | 65 |
| JME-SM-250 | 36.3 | 51.7 | -15 ... +10 | 1800x1100x1870 | 300 | 61 |
| JME-ZR-310 | 41.3 | 59.2 | -25 ... +10 | 1800x1100x1870 | 340 | 66 |
| JME-ZR-370 | 51.6 | 73.4 | -25 ... +10 | 1800x1100x1870 | 350 | 66 |
| JME-SM-370 | 52.1 | 74.0 | -15 ... +10 | 1800x1100x1870 | 350 | 64 |

⁽¹⁾ Cooling capacity for R404A @ 20°C suction gas return

⁽²⁾ Range of applicable evaporating temperature (T_e)

⁽³⁾ Sound pressure level LpA at 5m distance



Technical Specification

Series air cooled condensing units with hermetic scroll compressor suitable for freezing temperature applications.

Units are designed for ambient temperatures up to 43°C and for cold room temperature in range -15 to -35°C. Units can be delivered with different optional accessories.

Condensing Units for Freeze Rooms Applications

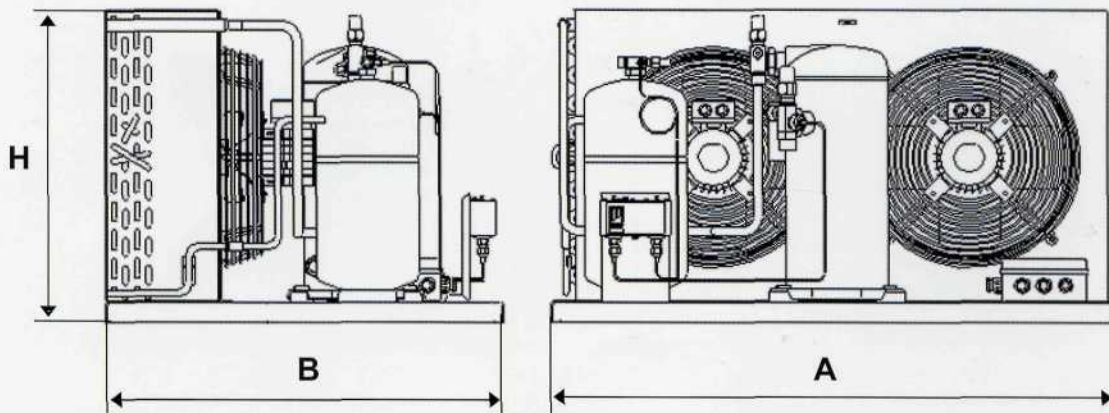
| Model | Cooling Capacity (kW) ⁽¹⁾ @ +27°C ambient temp | | Application Range ⁽²⁾ [°C] | Dimensions AxBxH [mm] | Weight [kg] | Sound Pressure ⁽³⁾ Lp [dB(A)] |
|-----------|--|----------|---|-----------------------------|----------------|--|
| | Te=-30°C | Te=-20°C | | | | |
| JLE-ZF-09 | 2.4 | 3.3 | -45 ... -10 | 600x600x460 | 60 | 50 |
| JLE-ZF-11 | 2.9 | 4.1 | -45 ... -10 | 600x600x520 | 63 | 51 |
| JLE-ZF-13 | 3.3 | 4.6 | -40 ... -10 | 600x600x560 | 72 | 52 |
| JLE-ZF-15 | 4.2 | 5.9 | -40 ... -10 | 800x600x560 | 94 | 53 |
| JLE-ZF-18 | 5.2 | 7.4 | -40 ... -10 | 1000x700x560 | 99 | 57 |
| JLE-ZF-24 | 6.5 | 9.4 | -40 ... -10 | 1000x700x640 | 110 | 60 |
| JLE-ZF-33 | 9.1 | 13.1 | -40 ... -10 | 1200x800x680 | 124 | 62 |
| JLE-ZF-40 | 10.3 | 14.2 | -40 ... -10 | 1200x800x680 | 148 | 62 |
| JLE-ZF-48 | 11.5 | 15.5 | -40 ... -15 | 1200x800x690 | 157 | 62 |

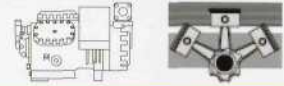
⁽¹⁾ Cooling capacity for R404A @ 0°C suction gas return

⁽²⁾ Range of applicable evaporating temperature (T_e)

⁽³⁾ Sound pressure level LpA at 5m distance

Illustrative picture





Technical Specification

Series air cooled condensing units with semihermetic reciprocating compressor suitable for freezing temperature applications.

Units are designed for ambient temperatures up to 43°C and for cold room temperature in range -15 to -35°C. Units can be delivered with different optional accessories.

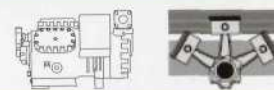
Condensing Units for Freeze Rooms Applications

| Model | Cooling Capacity (kW) ⁽¹⁾ @ +27°C ambient temp | | Application Range ⁽²⁾ [°C] | Dimensions AxBxH [mm] | Weight [kg] | Sound Pressure ⁽³⁾ Lp [dB(A)] |
|-----------------|--|----------|---|-----------------------------|----------------|--|
| | Te=-30°C | Te=-20°C | | | | |
| JLE-BP-100 | 1.4 | 2.2 | -45 ... -5 | 600x600x455 | 78 | 44 |
| JLE-CP-100 | 1.5 | 2.3 | -50 ... -20 | 600x600x455 | 79 | 44 |
| JLE-BP-150 | 1.6 | 2.5 | -45 ... -10 | 600x600x455 | 79 | 43 |
| JLE-CP-150 | 1.8 | 2.7 | -50 ... -20 | 600x600x455 | 79 | 43 |
| JLE-BP-200 | 2.4 | 3.6 | -45 ... -5 | 600x600x455 | 110 | 44 |
| JLE-CP-200 | 2.5 | 3.8 | -45 ... -20 | 600x600x455 | 110 | 44 |
| JLE-CP-300 | 3.5 | 5.5 | -45 ... -20 | 800x600x442 | 115 | 44 |
| JLE-BP-300 | 3.5 | 5.3 | -45 ... -10 | 800x600x442 | 115 | 44 |
| JLE-BP-400 | 5.2 | 8.0 | -45 ... -5 | 1000x700x555 | 121 | 53 |
| JLE-CP-400 | 5.4 | 8.4 | -45 ... -20 | 1000x700x555 | 121 | 53 |
| JLE-BP-500 | 6.1 | 9.3 | -45 ... -5 | 1000x700x555 | 155 | 55 |
| JLE-CP-500 | 6.4 | 9.5 | -40 ... -20 | 1000x700x555 | 155 | 55 |
| JLE-CP-600 | 7.2 | 11.1 | -45 ... -10 | 1000x700x555 | 151 | 56 |
| JLE-BP-600 | 7.4 | 11.0 | -45 ... -10 | 1000x700x555 | 160 | 56 |
| JLE-3SC-750 | 7.7 | 11.6 | -45 ... -10 | 1000x900x585 | 271 | 56 |
| JLE-BP-620 | 7.7 | 11.8 | -45 ... -5 | 1200x800x676 | 174 | 58 |
| JME-3SC-1000.10 | 8.6 | 13.4 | -30 ... 0 | 1200x800x680 | 300 | 60 |
| JME-3SC-1000 | 9.1 | 14.3 | -30 ... +7 | 1800x1100x1170 | 330 | 63 |
| JLE-3SS-1000 | 10.8 | 16.0 | -45 ... -10 | 1200x900x690 | 279 | 58 |
| JME-3SS-1500.10 | 12.3 | 18.8 | -30 ... +5 | 1800x1100x1170 | 350 | 63 |
| JLE-4SF-1000 | 12.4 | 18.2 | -45 ... -10 | 1200x900x690 | 375 | 62 |
| JME-3SS-1500 | 12.5 | 19.2 | -30 ... +7 | 1800x1100x1170 | 360 | 62 |
| JME-4SA-2000 | 13.5 | 21.3 | -30 ... +5 | 1800x1100x1170 | 464 | 64 |
| JLE-4SL-1500.10 | 15.1 | 21.4 | -45 ... -10 | 1200x900x690 | 377 | 62 |
| JME-4SH-2500.10 | 16.1 | 25.2 | -30 ... +7 | 1800x1100x1170 | 520 | 64 |
| JLE-4SL-1500 | 16.5 | 24.4 | -45 ... -10 | 1800x1100x1170 | 383 | 64 |
| JME-4SH-2500 | 16.8 | 26.7 | -30 ... +7 | 1800x1100x1870 | 576 | 64 |
| JME-4SJ-3000.10 | 18.9 | 29.5 | -30 ... +0 | 1800x1100x1170 | 550 | 64 |
| JLE-4ST-2000.10 | 18.9 | 27.8 | -45 ... -10 | 1800x1100x1170 | 470 | 64 |
| JLE-4ST-2000 | 19.4 | 28.8 | -45 ... -10 | 1800x1100x1170 | 472 | 63 |
| JME-4SJ-3000 | 19.8 | 31.4 | -30 ... +7 | 1800x1100x1870 | 581 | 64 |
| JLE-6SL-2500.10 | 22.1 | 31.5 | -45 ... -15 | 1800x1100x1170 | 600 | 70 |
| JLE-6SL-2500 | 22.8 | 33.0 | -45 ... -15 | 1800x1100x1170 | 602 | 69 |
| JME-6SH-3500.10 | 23.8 | 36.9 | -30 ... +5 | 1800x1100x1870 | 605 | 67 |
| JME-6SH-3500 | 24.4 | 38.3 | -30 ... +7 | 1800x1100x1870 | 610 | 69 |
| JLE-6ST-3200 | 27.1 | 39.1 | -45 ... -15 | 1800x1100x1170 | 608 | 71 |
| JME-6SJ-4000 | 28.3 | 43.9 | -30 ... +7 | 1800x1100x1870 | 615 | 67 |
| JLE-8SH-3700 | 33.7 | 50.2 | -45 ... -10 | 1800x1100x1870 | 675 | 68 |

⁽¹⁾ Cooling capacity for R404A @ 0°C suction gas return

⁽²⁾ Range of applicable evaporating temperature (T_e)

⁽³⁾ Sound pressure level LpA at 5m distance



Technical Specification

Series air cooled condensing units with semihermetic reciprocating compressor suitable for application from air conditioning to freezing temperatures.

Units are designed for ambient temperatures up to 43°C and for cold room temperature in range +12 to -25°C. Units can be delivered with different optional accessories.

Condensing Units for Cold Rooms Applications

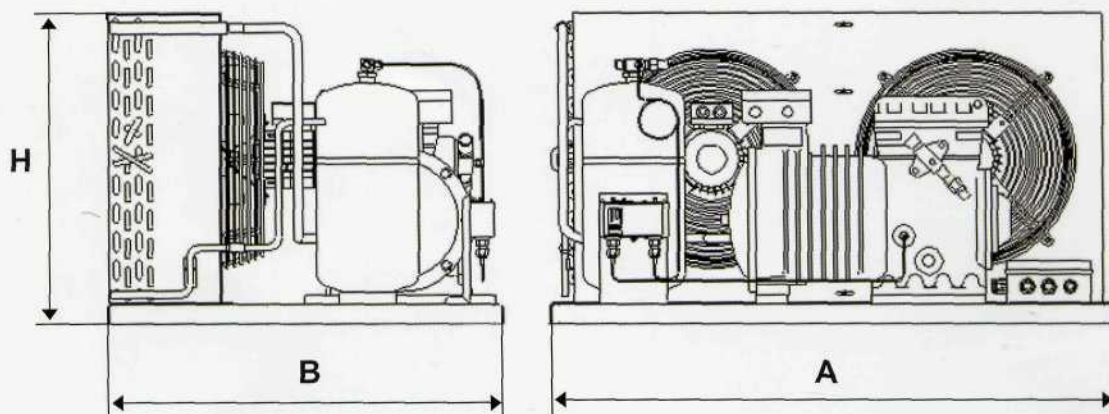
| Model | Cooling Capacity (kW) ⁽¹⁾ @ +27°C ambient temp | | Application Range ⁽²⁾ [°C] | Dimensions AxBxH [mm] | Weight [kg] | Sound Pressure ⁽³⁾ Lp [dB(A)] |
|-----------------|--|--------|---|-----------------------------|----------------|--|
| | Te=-10°C | Te=0°C | | | | |
| JME-3SC-1000.10 | 19.2 | 25.8 | -30 ... 0 | 1200x800x680 | 300 | 60 |
| JME-3SC-1000 | 21.1 | 29.2 | -30 ... +7 | 1800x1100x1170 | 330 | 63 |
| JME-3SS-1500.10 | 26.7 | 35.6 | -30 ... +5 | 1800x1100x1170 | 350 | 63 |
| JME-3SS-1500 | 27.4 | 37.0 | -30 ... +7 | 1800x1100x1170 | 360 | 62 |
| JME-4SA-2000 | 31.0 | 42.6 | -30 ... +5 | 1800x1100x1170 | 464 | 64 |
| JME-4SH-2500.10 | 36.1 | 48.3 | -30 ... +7 | 1800x1100x1170 | 520 | 64 |
| JME-4SH-2500 | 39.1 | 53.7 | -30 ... +7 | 1800x1100x1870 | 576 | 64 |
| JME-4SJ-3000.10 | 41.9 | 55.3 | -30 ... +0 | 1800x1100x1170 | 550 | 64 |
| JME-4SJ-3000 | 45.8 | 62.6 | -30 ... +7 | 1800x1100x1870 | 581 | 64 |
| JME-6SH-3500.10 | 52.7 | 70.4 | -30 ... +5 | 1800x1100x1870 | 605 | 67 |
| JME-6SH-3500 | 55.6 | 75.7 | -30 ... +7 | 1800x1100x1870 | 610 | 69 |
| JME-6SJ-4000 | 62.6 | 83.8 | -30 ... +7 | 1800x1100x1870 | 615 | 67 |

⁽¹⁾ Cooling capacity for R404A @ 20°C suction gas return

⁽²⁾ Range of applicable evaporating temperature (T_e)

⁽³⁾ Sound pressure level LpA at 5m distance

Illustrative picture



JDK, spol. s r.o.

Pražská 2161
288 02 Nymburk
Czech Republic

Tel: +420 325 519 111; +420 325 512 315

Fax: +420 325 514 718

E-mail: jdk@jdk.cz

JDK Slovakia, spol. s r.o.

Novozámocká 179
949 05 Nitra
Slovak Republic

Tel: +421 376 514 311; +421 376 523

Fax: +421 376 555 858

E-mail: jdk@jdk.sk