



### Application

- Cooling of skating rings (20x40m)
- Food processing industry, food stores
- Chemical industry, processing
- Gas separation and condensation

### Standard Unit Features

- Screw compressor
- Plate evaporator
- Electrical control box and controller
- Frequency inverter for condenser fans speed control
- Hydraulic module – pump and circuit

### Optional Accessories

- Expansion tank
- Remote air cooled condenser
- Integrated air cooled condenser
- Noise reduction option - housing
- Receiver tank
- Hydraulic pump - different power

### Technical specification

High compact unit for indirect cooling of skating rings with dimensions 20x40 meters. Units is equipped with appropriate hydraulic circuit. Electronic expansion valve is improving cooling efficiency. Unit is design for outdoor application. Next noise level reduction is possible with optional housing.

Electronic expansion valve allow unit to run with low condensing pressure even during ambient low temperature period. As result of it is low energy consumption with high cooling capacity (higher COP).

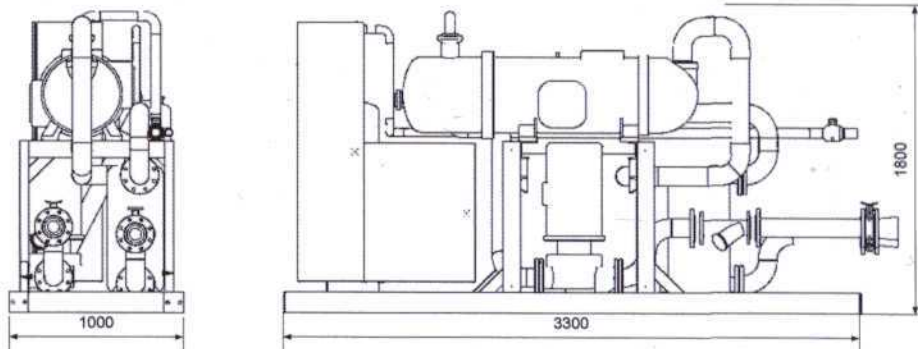
Model	Cooling Capacity (kW) <sup>(1)</sup>	Application Range <sup>(2)</sup> [°C]	Compressors Number [-]	Dimensions AxBxH [mm]	Weight <sup>(3)</sup> [kg]	Sound Pressure <sup>(4)</sup> L <sub>p</sub> [dB(A)]
IRU-ACS-150.K.S	218.0	-5 ... -15	1	3300x1000x1800	2400	62.0

<sup>(1)</sup> Valid for liquid temperature -8/-11°C, condensing temperature 40°C, 5 K liquid subcooling, 5K gas superheat, suction gas return 0°C and refrigerant R407C; data for different conditions on request

<sup>(2)</sup> Application range for output temperature cooled liquid

<sup>(3)</sup> Sound pressure level L<sub>p</sub>A at 5m distance

Illustrative picture



**JDK, spol. s r.o.**

Pražská 2161  
288 02 Nymburk  
Czech Republic  
Tel: +420 325 519 111; +420 325 512 315  
Fax: +420 325 514 718  
E-mail: [jdk@jdk.cz](mailto:jdk@jdk.cz)

**JDK Slovakia, spol. s r.o.**

Novozamocká 179  
949 05 Nitra  
Slovak Republic  
Tel: +421 376 514 311; +421 376 523  
Fax: +421 376 555 858  
E-mail: [jdk@jdk.sk](mailto:jdk@jdk.sk)